

**ENGINE**

Make	Cummins QSB 4.5 - C130
Type	Tier III Certified Turbocharged / Charge air-cooled
Rated horsepower	130 hp (97 kW) @ 2200 rpm
Fuel consumption	3.6 gal/hr (13.7 L/hr)

**ELECTRICAL**

Voltage	12 volts
Batteries	1
Amp hour	100
Cold cranking amps	640

**STEERING**

Steering type	Gear pump
Cylinders	1
Steering angle (+/-)	35°
Oscillation (+/-)	6°
Inside turning radius	15.3 ft (4.65 m)
Crab mode (+/-)	6.3 in (160 mm)

**WEIGHT**

Operating weight	28,726 lbs (13 030 kg)
Front drum weight	14,561 lbs (6605 kg)
Rear drum weight	14,164 lbs (6425 kg)
Front drum linear load	173 lb/in (31.4 kg/cm)
Rear drum linear load	169 lb/in (30.6 kg/cm)

Drums have chamfered edge

**TRAVEL**

Drive	Hydrostatic
Variable displacement axial piston type drum drive pumps	2
Hydraulic fixed displacement drum drive motors	2
Drive brake	Hydrostatic
Emergency brake	Multi-disc
Parking brake	Multi-disc
Maximum working speed	7.1 mph (11.4 km/hr)
Maximum travel speed	7.1 mph (11.4 km/hr)
Gradeability (vibration on)	30°
Gradeability (vibration off)	40°
High curb clearance	

**VIBRATION**

Hydraulic circuit type	Closed
Pump type	Gear
Fixed displacement hydraulic motor	2
Vibration	Eccentric
Frequency —	
Low	2,520 vpm (42 Hz)
High	3,000 vpm (50 Hz)
Amplitude —	
Low	0.016 in (0.40 mm)
High	0.032 in (0.80 mm)
Centrifugal force —	
Low	21,582 lbs (96 kN)
High	30,349 lbs (135 kN)

**PRESSURIZED WATERING SYSTEM**

Front water tank	264 gal (1000 L)
Water filtration stages	3
Watering pumps	2
Tank type	Polyethylene, corrosion proof, dual fill ports, drain system
Water tank level	LED indicator

**CAPACITIES**

Fuel tank	55 gal (208 L)
Engine oil	3.1 gal (11.6 L)
Hydraulic reservoir	15.9 gal (60 L)
Vibration system (each)	1.32 gal (5 L)

**OPERATORS COMPARTMENT**

Heavy duty isolation mounts insulated from chassis, handrail, instrument panel anti-vandal covers, exceptional front/rear visibility, ROPS protection, single lever speed and direction control with vibration on/off control, multi position seating, adjustable steering wheel, speed selector, dual mode vibratory system, side-mount mirrors (left and right)

**MAXIMUM COMPACTED LIFT THICKNESS**

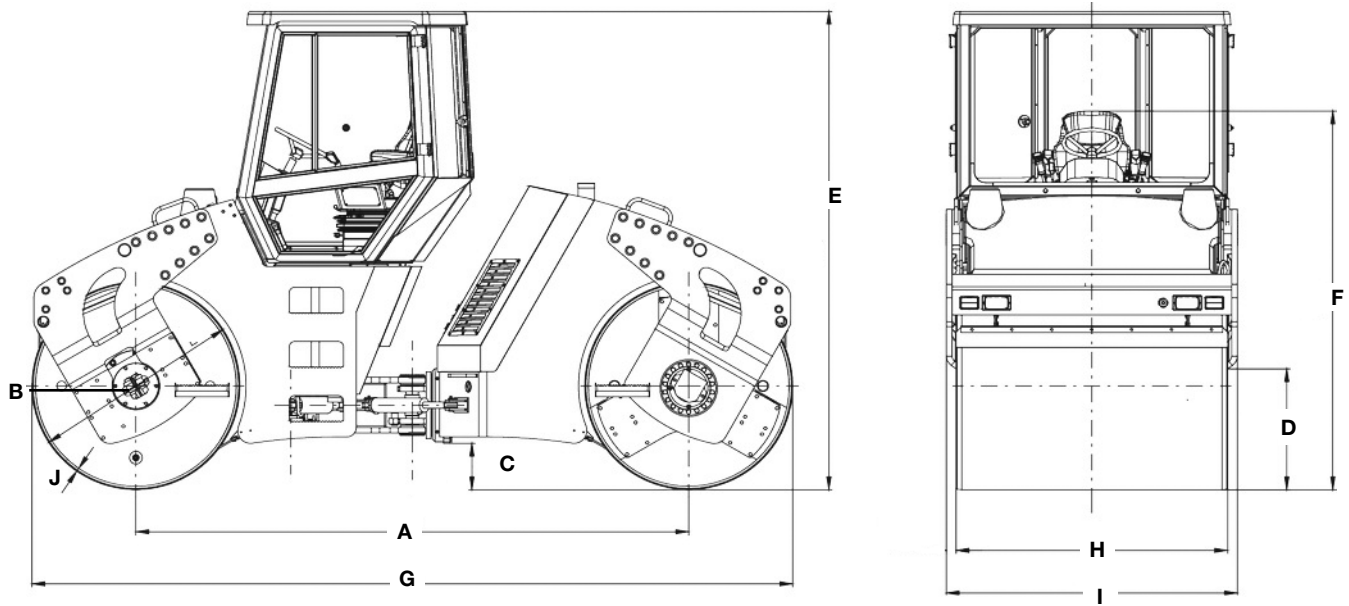
Sand/gravel	11.8 in (300 mm)
Mixed soils	7.9 in (200 mm)
Asphalt	4.7 in (120 mm)

**STANDARD EQUIPMENT**

- Fixed ROPS Open Platform with hand rails
- Anti-vandal cover
- Halogen worklights x 4 (55 watt / front and rear)
- Turn signal indicator (left and right)
- Hydrostatic drive for both drums
- Dual vibration
- Front/dual/rear drum vibration control
- Auto vibration stop switch in neutral
- Articulated chassis
- Hydraulic oil cooler
- Backup alarm
- Retractable seat belt 2 in (51 mm)
- Lateral shifting suspension seat with foldable arms
- Pressurized water system
- Machined tapered edge drums
- Water filtration - 3 stage
- Master disconnect switch
- Horn
- Hourmeter
- Emergency stop button
- Lift and tie down provision - 4-point
- Watering system drains
- Electric fuse protection
- Steering wheel spinner knob
- Spin-on fuel, engine oil and hydraulic filters
- Tool box
- Vertical lift hood
- Indicator lights
  - Battery
  - Engine oil pressure
  - Intake preheater
  - Engine temperature
  - Parking brake
  - Vibration ON/OFF
  - Sprinkler system ON/OFF

**OPTIONAL EQUIPMENT**

- Rotating beacon
- Front and rear work lights (ROPS or cab mounted)
- Cab with heat and air conditioning
- Edge Cutter
- Radio
- Tilttable scrapers



## DIMENSIONS

A. Wheelbase	138.8 in (3525 mm)
B. Drum diameter	53.1 in (1350 mm)
C. Ground clearance	13.2 in (335 mm)
D. Curb clearance	30.3 in (770 mm)
E. Overall height	120.5 in (3060 mm)
F. Seat height	94.1 in (2390 mm)
G. Overall length	191.9 in (4875 mm)
H. Drum width	82.7 in (2100 mm)
I. Overall width	87.5 in (2222 mm)
J. Drum thickness	0.8 in (20 mm)



NOTE: All specifications are stated in accordance with SAE Standards or Recommended Practices, where applicable.

NOTE: All engines meet current EPA emissions requirements.

IMPORTANT: Case Construction Equipment Inc. reserves the right to change these specifications without notice and without incurring any obligation relating to such change. Case Construction Equipment Inc. does not warrant the safety or reliability of attachments from other manufacturers.

Case is a registered trademark of CNH America LLC. Any trademarks referred to herein, in association with goods and/or services of companies other than CNH America LLC, are the property of those respective companies.



[www.casece.com](http://www.casece.com)

