

## ENGINE

Model	Isuzu AU-4LE2X, Tier 4-a Certified
Type	Water-cooled, 4-cycle. Turbo-charged with air-cooled intercooler
Cylinders	4-cylinder in-line
Displacement	133 in <sup>3</sup> (2.2 L)
Bore/Stroke	3.35 in x 3.78 in (85 x 96 mm)
Fuel injection	Direct injection (electronic control)
Fuel filter	Replaceable, full flow spin-on cartridge
Air filter	Dry type element w/ warning indicator
Oil filter	Replaceable, full flow spin-on cartridge
Engine oil operating angle ratings:	
Side-to-side	Rated 35°
Fore and aft	Rated 35°
Net Horsepower -	SAE J1349 54 hp (40 kW) @ 2000 rpm
Net Maximum Torque -	SAE J1349 155 lbf-ft (210 N-m) @ 1500 rpm
Cooling	110° F to -13° F (43° C to -25° C) at 55% concentration

## SERVICE CAPACITIES

Fuel tank	26.0 gal (100 L)
Hydraulic system	26.0 gal (100 L)
Hydraulic tank	13.0 gal (50 L)
Engine oil w/ filter	9.5 qt (9.0 L)
Swing drive	10.3 qt (9.7 L)
Final drive (each side)	1.2 qt (1.1 L)
Cooling system	10.8 qt (10.2 L)

## ELECTRICAL

Voltage	24 volts
Alternator rating	50 amp
Batteries	1 x 24 volt
Reserve capacity	64 Ah / 5 hour
Work lights (2)	12 volt / 70 & 55 watt (1 x boom @ 70 watt; 1 x upper @ 55 watt)

## SWING MECHANISM

Swing speed	0 - 9.5 RPM
Swing torque	12,250 lb-ft (17,000 N-m)
Swing brake	Mechanical disc

## UNDERCARRIAGE

Undercarriage length	9 ft 4 in (2.85 m)
Track gauge	6 ft 6 in (1.99 m)
Carrier rollers	1 per side
Track rollers	5 per side
Shoes - triple grouser	39 per side
Show width (std)	17.7 in (450 mm)
Link pitch	6.1 in (154 mm)
Track:	
Chain	Grease lubricated/strutted
Adjustment	Hydraulic
Track guides	Single (offset boom)

## DOZER BLADE

Dozer blade width	7 ft 7 in (2.32 m)
Dozer blade height	17.7 in (450 mm)
Blade raise height	16.3 in (415 mm)
Blade dig depth	8.0 in (205 mm)

## GROUND PRESSURE

Triple semi-grouser shoes	
17.7 in (450 mm)	5.07 psi (.35 bar) @ standard op. wt.

## HYDRAULICS

System design	Open center
Main pumps	Two variable displacement /axial piston
Max rated flow:	2 x 18.0 GPM (2 x 68.1 L/min)
System pressures:	
Boom, arm & bucket	4,264 psi (294 bar)
Travel circuits	4,264 psi (294 bar)
Swing circuits	3,278 psi (226 bar)
Pilot pump	1 x gear design
Max. capacity	5.7 GPM (21.4 L/min)
Controls	With boom/arm holding valve
Right track travel, bucket, boom and arm acceleration	Four-spool section
Left track travel, auxiliary, swing, boom acceleration	Five-spool section
Swing motor	Fixed displacement axial piston
Swing final drive	Planetary gear reduction
Travel motor	Two-speed independent travel / axial piston

## HYDRAULIC CYLINDERS

Boom cylinder	(One) 1
Cylinder bore	4.3 in (110 mm)
Cylinder rod dia.	2.8 in (70 mm)
Cylinder stroke	35.9 in (911 mm)
Arm cylinder	(One) 1
Cylinder bore	3.7 in (95 mm)
Cylinder rod dia.	2.4 in (60 mm)
Cylinder stroke	31.4 in (797 mm)
Bucket cylinder	(One) 1
Cylinder bore	3.3 in (85 mm)
Cylinder rod dia.	2.2 in (55 mm)
Cylinder stroke	26.2 in (665 mm)

## DRIVETRAIN

Travel control	Dual stage relief/counter balance design
Brakes	Mechanical disc
Service brakes	SAHR disc (each motor)
Two speed travel	
Max. high speed	3.2 mph (5.1 kph)
Max. low speed	2.1 mph (3.3 kph)
	Automatic downshift
Drawbar pull	13,376 lbf (60 kN)
Gradeability	70% (35°)

## CAB AND CONTROLS

Air-conditioner output	13,490 BTU/hr
Heater output	12,900 BTU/hr
Sound level (inside cab) (ISO6395)	75.0 dBA
Electrical outlet	12 volt
Cab interior light (1)	6 watt
Seat	Mech. suspension

## ATTACHMENT

Boom (std)	12 ft 8 in (3.87 m)
Boom (offset)	12 ft 10 in (3.92 m)
Arm options (std)	5 ft 7 in (1.71 m) 6 ft 11 in (2.12 m)
Arm options (offset)	5 ft 9 in (1.75 m)
Bucket digging force*	12,790 lbf (56.9 kN)

\* Digging force ratings based on ISO6015

## OPERATING WEIGHT

Operating wgt. (std)	17,468 lb (7920 kg)
Operating wgt. (offset)	18,188 lb (8250 kg)
<b>Standard Version</b>	
w/ Shoes	17.7 in (450 mm)
w/ Boom	12 ft 8 in (3.87 m)
w/ Arm	5 ft 7 in (1.71 m)
w/ Bucket	460 lb (210 kg)
w/ Dozer blade	7 ft 7 in (2.32 m)
w/ Counterweight	2,987 lb (1355 kg)
w/ Operator/ Full fuel/ Standard Equipment	

## LIFT CAPACITIES

**5 ft 7 in (1.71 m) Arm** Lift capacities calculated using a 460 lb (210kg) bucket, 3,020 lb (1370 kg) counterweight operating in "Standard" Mode, blade down.

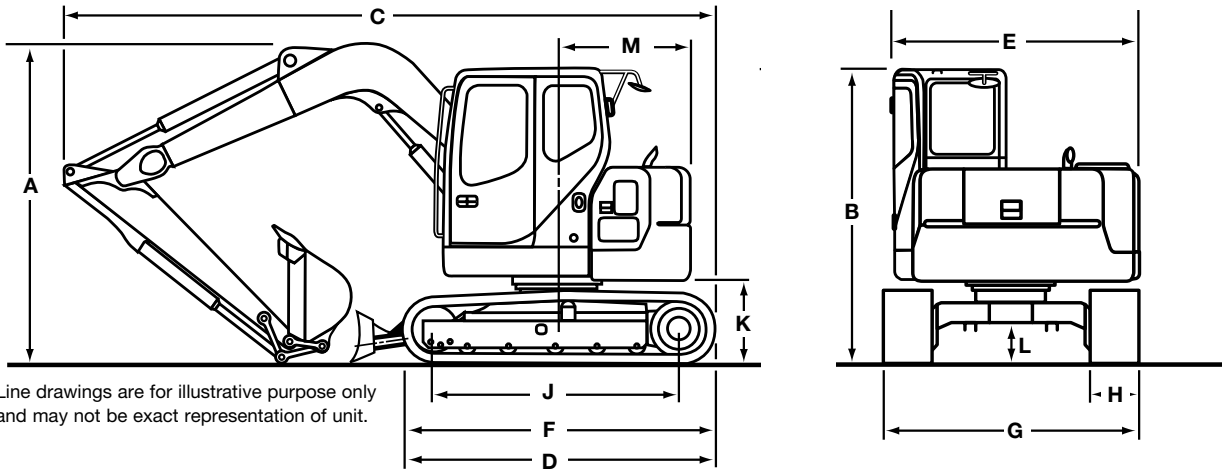
Load (Lift Point) Height	10 ft (3.05 m)		15 ft (5.57 m)		MAXIMUM REACH		
	END	SIDE	END	SIDE	@	END	SIDE
+20 ft (6.10 m)					12 ft 11 in (3.94 m)	3,252 lb* (1475 kg)*	3,252 lb* (1475 kg)*
+15 ft (4.57 m)	3,502 lb* (1588 kg)*	3,502 lb* (1588 kg)*			17 ft 10 in (5.44 m)	2,902 lb* (1316 kg)*	2,452 lb (1112 kg)
+10 ft (3.05 m)	4,702 lb* (2133 kg)*	4,702 lb* (2133 kg)*	3,852 lb* (1747 kg)*	3,202 lb (1452 kg)	20 ft 0 in (6.10 m)	2,852 lb* (1,294 kg)*	1,902 lb (863 kg)
+5 ft (1.52 m)	6,802 lb* (3085 kg)*	5,652 lb (2563 kg)	4,502 lb* (2042 kg)*	3,002 lb (1361 kg)	20 ft 8 in (6.30 m)	3,052 lb* (1384 kg)*	1,702 lb (772 kg)
Ground-line	7,952 lb* (3607 kg)*	5,202 lb (2359 kg)	5,002 lb* (2269 kg)*	2,802 lb (1271 kg)	19 ft 10 in (6.05 m)	3,502 lb* (1588 kg)*	1,802 lb (817 kg)
-5 ft (-1.52 m)	7,652 lb* (3471 kg)*	5,102 lb (2314 kg)	4,902 lb* (2223 kg)*	2,702 lb (1225 kg)	17 ft 3 in (5.26 m)	3,652 lb* (1656 kg)*	2,202 lb (999 kg)
-10 ft (-3.05 m)	5,952 lb* (2700 kg)*	5,252 lb (2382 kg)					

**Offset Boom with 5 ft 9 in (1.75 m) Arm** Lift capacities calculated using a 460 lb (210kg) bucket, 3,020 lb (1370 kg) counterweight operating in "Standard" Mode, blade down.

Load (Lift Point) Height	10 ft (3.05 m)		15 ft (5.57 m)		MAXIMUM REACH		
	END	SIDE	END	SIDE	@	END	SIDE
+20 ft (6.10 m)					12 ft 9 in (3.89 m)	3,053 lb* (1385 kg)*	3,053 lb* (1385 kg)*
+15 ft (4.57 m)	3,403 lb* (1543 kg)*	3,403 lb* (1543 kg)*			17 ft 9 in (5.41 m)	3,003 lb* (1362 kg)*	2,352 lb (1067 kg)
+10 ft (3.05 m)	4,503 lb* (2042 kg)*	4,503 lb* (2042 kg)*	3,553 lb* (1611 kg)*	3,052 lb (1384 kg)	20 ft 0 in (6.10 m)	3,053 lb* (1385 kg)*	1,752 lb (795 kg)
+5 ft (1.52 m)	6,253 lb* (2836 kg)*	5,302 lb (2405 kg)	4,153 lb* (1884 kg)*	2,752 lb (1248 kg)	20 ft 7 in (6.27 m)	3,153 lb* (1430 kg)*	1,502 lb (681 kg)
Ground-line	7,153 lb* (3244 kg)*	4,602 lb (2088 kg)	4,553 lb* (2065 kg)*	2,452 lb (1112 kg)	19 ft 9 in (6.02 m)	3,303 lb* (1498 kg)*	1,552 lb (704 kg)
-5 ft (-1.52 m)	6,953 lb* (3154 kg)*	4,452 lb (2020 kg)	4,453 lb* (2020 kg)*	2,352 lb (1067 kg)	17 ft 2 in (5.23 m)	3,353 lb* (1521 kg)*	1,952 lb (886 kg)
-10 ft (-3.05 m)	5,353 lb* (2,428 kg)*	4,702 lb (2133 kg)					

**6 ft 11 in (2.12 m) Arm** Lift capacities calculated using a 420 lb (191 kg) bucket, 3,020 lb (1370 kg) counterweight operating in "Standard" Mode, blade down.

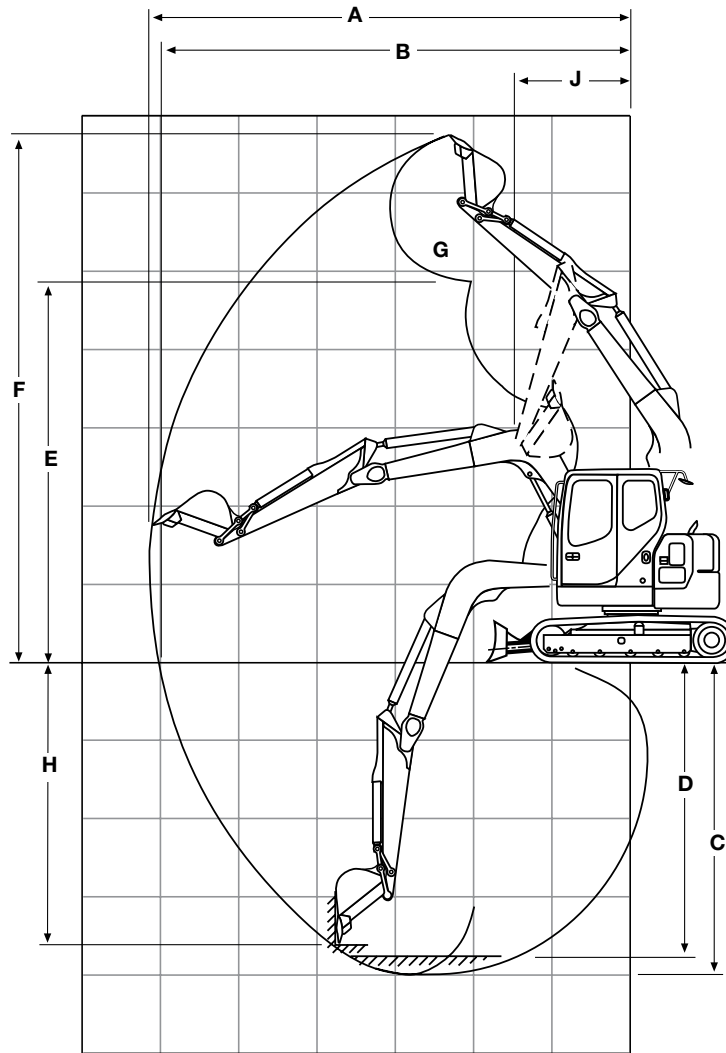
Load (Lift Point) Height	10 ft (3.05 m)		15 ft (5.57 m)		20 ft (6.10 m)		MAXIMUM REACH		
	END	SIDE	END	SIDE	END	SIDE	@	END	SIDE
+20 ft (6.10 m)							15 ft 0 in (4.57 m)	2,900 lb* (1315 kg)*	2,900 lb* (1315 kg)*
+15 ft (4.57 m)			3,153 lb* (1430 kg)*	3,153 lb* (1430 kg)*			19 ft 3 in (5.87 m)	2,603 lb* (1181 kg)*	2,152 lb (976 kg)
+10 ft (3.05 m)	4,003 lb* (1816 kg)*	4,003 lb* (1816 kg)*	3,503 lb* (1589 kg)*	3,252 lb (1475 kg)			21 ft 4 in (6.50 m)	2,603 lb* (1181 kg)*	1,702 lb (772 kg)
+5 ft (1.52 m)	6,303 lb* (2859 kg)*	5,802 lb (2632 kg)	4,203 lb* (1906 kg)*	3,002 lb (1362 kg)	3,450 lb* (1565 kg)*	1,850 lb (839 kg)	21 ft 11 in (6.68 m)	2,753 lb* (1249 kg)*	1,552 lb (704 kg)
Ground-line	7,853 lb* (3562 kg)*	5,202 lb (2360 kg)	4,853 lb* (2201 kg)*	2,802 lb (1271 kg)	3,600 lb* (1633 kg)*	1,750 lb (794 kg)	21 ft 1 in (6.43 m)	3,103 lb* (1407 kg)*	1,602 lb (727 kg)
-5 ft (-1.52 m)	7,803 lb* (3539 kg)*	5,052 lb (2292 kg)	4,953 lb* (2246 kg)*	2,652 lb (1203 kg)			18 ft 9 in (5.72 m)	3,453 lb* (1566 kg)*	1,902 lb (863 kg)
-10 ft (-3.05 m)	6,603 lb* (2995 kg)*	5,102 lb (2314 kg)	3,903 lb* (1770 kg)*	2,702 lb (1226 kg)					



## DIMENSIONS

	5 ft 7 in (1.71 m) Arm	6 ft 11 in (2.12 m) Arm	5 ft 9 in (1.75 m) Arm (Offset Boom)
<b>A.</b> Overall height	8 ft 10 in (2.70 m)	9 ft 5 in (2.70 m)	9 ft 8 in (5.91 m)
<b>B.</b> Cab height	8 ft 10 in (2.70 m)	8 ft 10 in (2.70 m)	8 ft 10 in (2.70 m)
<b>C.</b> Overall length (w/ attachment)	19 ft 5 in (5.92 m)	19 ft 5 in (5.92 m)	19 ft 5 in (5.92 m)
<b>D.</b> Overall length (w/o attachment)	10 ft 9 in (3.28 m)	10 ft 9 in (3.28 m)	10 ft 9 in (3.28 m)
<b>E.</b> Width of upperstructure	7 ft 4 in (2.23 m)	7 ft 4 in (2.23 m)	7 ft 4 in (2.23 m)
<b>F.</b> Track overall length	9 ft 4 in (2.85 m)	9 ft 4 in (2.85 m)	9 ft 4 in (2.85 m)
<b>G.</b> Track overall width w/ 17.7 in (450 mm) shoes	7 ft 7 in (2.32 m)	7 ft 7 in (2.32 m)	7 ft 7 in (2.32 m)
<b>H.</b> Track shoe width	17.7 in (450 mm)	17.7 in (450 mm)	17.7 in (450 mm)
<b>J.</b> Center to center (idler to sprocket)	7 ft 3 in (2.21 m)	7 ft 3 in (2.21 m)	7 ft 3 in (2.21 m)
<b>K.</b> Upperstructure ground clearance	2 ft 5 in (0.75 m)	2 ft 5 in (0.75 m)	2 ft 5 in (0.75 m)
<b>L.</b> Minimum ground clearance	1 ft 2 in (0.36 m)	1 ft 2 in (0.36 m)	1 ft 2 in (0.36 m)
<b>M.</b> Rear tail swing radius	4 ft 0 in (1.24 m)	4 ft 0 in (1.24 m)	4 ft 0 in (1.24 m)
Dozer blade width	7 ft 7 in (2.32 m)	7 ft 7 in (2.32 m)	7 ft 7 in (2.32 m)
Dozer blade height	1 ft 6 in (0.45 m)	1 ft 6 in (0.45 m)	1 ft 6 in (0.45 m)
Working weight*	17,486 lb (7920 kg)	17,846 lb (8095 kg)	18,188 lb (8250 kg)
Ground pressure	5.07 psi (.35 bar)	5.07 psi (.35 bar)	5.09 psi (.36 bar)

\*With 17.7 in (460 mm) track shoe, 460 lb (210 kg) bucket, 165 lb (75 kg) operator, full fuel and standard equipment.



## PERFORMANCE SPECS

	5 ft 7 in (1.71 m) Arm	6 ft 11 in (2.12 m) Arm	5 ft 9 in (1.75 m) Arm (Offset Boom)
<b>A.</b> Maximum dig radius	21 ft 5 in (6.52 m)	22 ft 8 in (6.90 m)	21 ft 4 in (6.49 m)
<b>B.</b> Dig radius at groundline	21 ft 0 in (6.39 m)	22 ft 3 in (6.77 m)	20 ft 10 in (6.36 m)
<b>C.</b> Maximum dig depth	13 ft 7 in (4.14 m)	14 ft 11 in (4.54 m)	13 ft 9 in (4.19 m)
<b>D.</b> Dig depth – 8 ft 0 in (2.44 m) level bottom	12 ft 6 in (3.81 m)	14 ft 0 in (4.26 m)	12 ft 6 in (3.81 m)
<b>E.</b> Dump height	17 ft 3 in (5.25 m)	18 ft 2 in (5.54 m)	16 ft 11 in (5.15 m)
<b>F.</b> Overall reach height	24 ft 1 in (7.33 m)	25 ft 0 in (7.62 m)	23 ft 7 in (7.20 m)
<b>G.</b> Bucket rotation	177°	177°	177°
<b>H.</b> Vertical straight wall dig depth	11 ft 11 in (3.64 m)	13 ft 5 in (4.10 m)	10 ft 8 in (3.26 m)
<b>J.</b> Minimum swing radius	5 ft 10 in (1.79 m)	6 ft 10 in (2.09 m)	7 ft 4 in (2.23 m)
Arm digging force			
Standard	8,610 lb (38.3 kN)	7,644 lb (34.0 kN)	8,857 lb (39.4 kN)
Bucket digging force			
Standard	12,792 lb (56.9 kN)	12,792 lb (56.9 kN)	12,792 lb (56.9 kN)
Dozer blade cutting edge			
Max. height	1 ft 4 in (0.42 kN)	1 ft 4 in (0.42 kN)	1 ft 4 in (0.42 kN)
Dozer blade cutting edge			
Max. depth	8 in (0.21 kN)	8 in (0.21 kN)	8 in (0.21 kN)
Dozer blade width	7 ft 7 in (2.32 kN)	7 ft 7 in (2.32 kN)	7 ft 7 in (2.32 kN)

## STANDARD EQUIPMENT

### ENGINE

Isuzu four-cylinder turbo-charged diesel  
 Certified Tier 4 Interim  
 Electronic fuel injection  
 Neutral safety start  
 Auto-engine warm up  
 Glow-plug pre-heat  
 One-touch idle  
 Dual-stage fuel filtration  
 Dual element air filter  
 Remote oil filter  
 Green plug oil drain  
 500-hour engine oil change interval  
 24-Volt system

### HYDRAULIC

ISO pattern controls  
 5000 hour hydraulic oil change interval  
 1000 hour hydraulic filter change interval  
 SAHR brake

### UPPERSTRUCTURE

Right and left side mirrors  
 Isolation mounted cab (fluid)  
 Common key vandal locks  
 Upper mounted work light (55 watt)  
 Swivel guard belly pan

### UNDERCARRIAGE

17.7 in (450 mm) steel shoes, triple semi-grouser  
 Full overlap turntable bearing tub  
 Front track chain guides  
 Hydraulic track adjustment  
 X-pattern carbody

### FRONT BLADE

Hydraulically controlled front blade  
 7 ft 7 in wide  
 1 ft 6 in height

### ATTACHMENT

#### Standard Boom & Arm

Boom - 12 ft 8 in (3.87 m)  
 Arm - 5 ft 7 in (1.71 m)

#### Offset Boom & Arm

Boom - 12 ft 10 in (3.92 m)  
 Arm - 5 ft 9 in (1.75 m)

Boom mounted work light (70 watt)  
 Attachment cushion valve

### OPERATOR STATION

FOPS cab top guard (Level 1)  
 Pressurized cab  
 One-touch lock front window  
 AC/heat/defrost w/ auto climate control  
 Interior dome light  
 Mechanical-suspension seat (cloth)  
 Adjustable armrests  
 Low-effort joystick controls  
 Controls pre-wired for auxillary  
 Blade control lever  
 AM/FM radio w/ antenna and 2 speakers  
 Anti-theft system (start code system)  
 Rubber floormat  
 12-volt electric socket  
 24-volt cigarette lighter  
 External rear view mirrors  
 Windshield wiper / washer  
 Cup holder  
 Storage compartments  
 Travel alarm with cancel switch  
 One key start & lock-up

## OPTIONAL EQUIPMENT

### HYDRAULICS

Auxiliary hydraulics  
 Single acting / joystick activated  
 Double acting / joystick activated  
**Standard Boom Only:**  
 Double acting bi-directional / joystick activated

### ATTACHMENT

Arm for std boom - 6 ft 11 in (2.12 m)  
 Coupler / Case multi-pin grabber  
 Buckets: Heavy duty

### OPERATOR STATION

Control pattern selector  
 FOPS cab top guard (Level 2)  
 Front grill guard - 2 x 2 screen mesh  
 Front rock guard - vertical bars (fixed / one piece) / OPG 2

### UNDERCARRIAGE

23.6 in (600 mm) steel shoes, triple semi-grouser \*  
 17.7 in (450 mm) rubber pads bolted to standard rail

\* Note: blade will not fully cover 23.6" shoe

## BUCKETS / CASE COUPLER

Application	Width	SAE Heaped Capacity
Pin On / Heavy Duty	18 in (457 mm) to 42 in (1067 mm)	0.21 yd <sup>3</sup> to 0.57 yd <sup>3</sup>
Coupler / Heavy Duty	18 in (457 mm) to 42 in (1067 mm)	0.24 yd <sup>3</sup> to 0.59 yd <sup>3</sup>
Case Multi-fit Coupler		

**This page intentionally left blank.**



NOTE: All specifications are stated in accordance with SAE Standards or Recommended Practices, where applicable.

NOTE: All engines meet current EPA emissions requirements.

IMPORTANT: Case Construction Inc. reserves the right to change these specifications without notice and without incurring any obligation relating to such change. Case Construction Inc. does not warrant the safety or reliability of attachments from other manufacturers.

Case is a registered trademark of CNH America LLC. Any trademarks referred to herein, in association with goods and/or services of companies other than CNH America LLC, are the property of those respective companies.



[www.casece.com](http://www.casece.com)

