

### ENGINE

Model	Case Family IV 445TA/EG7a diesel Tier 3 certified EPA Family NHXL04.5DCB	
Cylinders	4	
Bore/Stroke	4.1 in x 5.2 in (104 x 132 mm)	
Displacement	274 in <sup>3</sup> (4.5 L)	
Fuel injection	Direct	
Fuel	#2 Diesel	
Fuel filter	Spin-on with in-line strainer	
Air intake	Cross-flow	
Cooling	Liquid	
Engine speeds (rpm)		
High idle - no load	2160±50	
Rated - full load	2000	
Low idle	850-950	
Horsepower per SAE J1349		
Net	74 (55 kW) @ 2000 rpm	
Gross	80.5 (60 kW) @ 2000 rpm	
Peak torque @ 1400 rpm		
Net	289 lb-ft (355 N-m)	
Gross	295 lb-ft (363 N-m)	
Engine lubrication -		
Pump	Deep sump plate cooler with pressurized under-piston nozzles	
Pump operating angle ratings -		
Side-to-side	45°	
Fore and aft	45°	
Oil filtration	Replaceable, spin-on full-flow cartridge	

### ENGINE COOLING

Radiator -		
Core size area	357.5 m <sup>2</sup> (2306 cm <sup>2</sup> )	
Rows of tubes	1	
Fan -		
Diameter	20 in (500 mm)	
Ratio	1.1:1	

### ELECTRICAL SYSTEM

Alternator	90 amp
Battery	
12-volt low-maintenance	700 cold-cranking amps @ 0° F (-18 C)

### POWERTRAIN

Dual path hydrostatic		
Pump - variable axial piston		
Motor - variable bent axis piston		
Maximum drawbar pull*	36,000 lb (160.5 kN)	
Transmission	Single lever control - electronic straight tracking	
Transmission oil filter	4 micron, spin-on replaceable	
Travel speeds* -		
Forward	0-5.5 mph (0-9 km/h)	
Reverse	0-5.5 mph (0-9 km/h)	
*Measured using standard track chain. Increase travel speeds by 4% and reduce drawbar pull by 4% with the optional CELT track chain.		
Parking brakes	Heavy-duty, spring-applied, hydraulic pressure release	
Steering brakes	Hydrostatic	
Final drive	2 helical gear reduction to planetary output	
Ratio	61:1	

### TRANSMISSION COOLING

Type	Oil to air
Core size	225.7 in <sup>2</sup> (1456 cm <sup>2</sup> )

### HYDRAULIC SYSTEM

Standard equipment pump		
Pump flow @ 2000 rpm @ 3000 psi (209 kPa)	20.3 gpm (78.8 L/min)	
Max. system pressure	3025±75 psi (20 855±515 kPa)	

### CYLINDERS

Lift cylinder (2)		
Bore diameter	3.50 in (89 mm)	
Rod diameter	1.75 in (44.5 mm)	
Stroke	15.5 in (394 mm)	
Angle cylinder (2)		
Bore diameter	3.50 in (89 mm)	
Rod diameter	1.75 in (44.5 mm)	
Stroke	13.5 in (342 mm)	
Tilt cylinder (1)		
Bore diameter	3.50 in (89 mm)	
Rod diameter	1.75 in (44.5 mm)	
Stroke	5.4 in (137 mm)	

### UNDERCARRIAGE

Track adjustment	Hydraulic
Frame	Rigid suspension
Length of track on ground (CLT)	84 in (2141 mm)
Track link pitch	6.29 in (160 mm)
Track shoe height	2.06 in (52 mm)
Pin diameter	1.13 in (29 mm)
Bushing diameter -	
CLT track	2.125 in (54 mm)
CELT track	2.75 in (70 mm)
Bolt diameter	0.625 in (16 mm)
Track shoes per side	39
Track rollers per side	6
Carrier rollers per side	1
Track roller rail dia.	6.1 in (155 mm)

### TRACK ON GROUND

Shoe	Area - in <sup>2</sup> (cm <sup>2</sup> )
16 in (406 mm)	2630 (16 968)
20 in (508 mm)	3372 (21 755)
27 in (686 mm)	4552 (29 368)

### TRACK

Long Track	
16 in (406 mm) closed grousers and CLT	
16 in (406 mm) open grousers and CELT	
Wide Track	
16 in (406 mm) closed grousers and CLT	
16 in (406 mm) open grousers and CELT	
20 in (508 mm) closed grousers and CLT	
20 in (508 mm) open grousers and CELT	
LGP	
27 in (686 mm) closed grousers and CLT	
27 in (686 mm) open grousers and CELT	

## OPERATOR ENVIRONMENT

ROPS canopy
Single lever control for speed, steering and direction
Forward/reverse speed ratio selector
Adjustable armrests
Foot rests
Retractable seat belt, 2 in (51 mm)
Vinyl suspension seat w/back adjustment
Rear view mirror

## INSTRUMENTATION

Warning lights:
Air filter
Alternator
Engine oil pressure
Hi range
Hydraulic filter
Transmission filter
Transmission pressure
Gauges:
Battery voltage
Fuel level
Hourmeter
Tachometer
Transmission oil temperature
Water temperature
Audible warnings:
Engine oil pressure
Transmission pressure

## BLADE

Variable blade pitch	52°-60°
Lift speed (per second)	19.7 in (500 mm)
Cutting edge	Reversible and replaceable
Width	8.0 in (203 mm)
Thickness	0.625 in (16 mm)

## RIPPER

Max. penetration	8.7 in (221 mm)
Width	72.4 in (1839 mm)
Cut width	70.1 in (1780 mm)
Max. ground clearance	15.5 in (393 mm)
Points	Replaceable
Max. number of shanks	3
Tooth spacing – with 3 teeth	31 in (785 mm)
Hydraulic cylinder (double-acting)	
Diameter	3.2 in (82 mm)
Stroke	8.4 in (213 mm)
Rod	1.75 in (44.5 mm)

## SERVICE CAPACITIES

Fuel tank	41 gal (155 L)
Engine oil w/filter	13 qt (12.3 L)
Engine oil w/o filter	12.2 qt (11.5 L)
Engine cooling system	22.6 qt (21.4 L)
Hydraulic reservoir	16.5 gal (72.7 L)
Final drive (per side)	15 qt (14.2 L)
Track rollers (ea.)	0.19 qt (0.18 L)
Front idlers (ea.)	0.42 qt (0.40 L)
Carrier rollers (ea.)	0.25 qt (0.24 L)

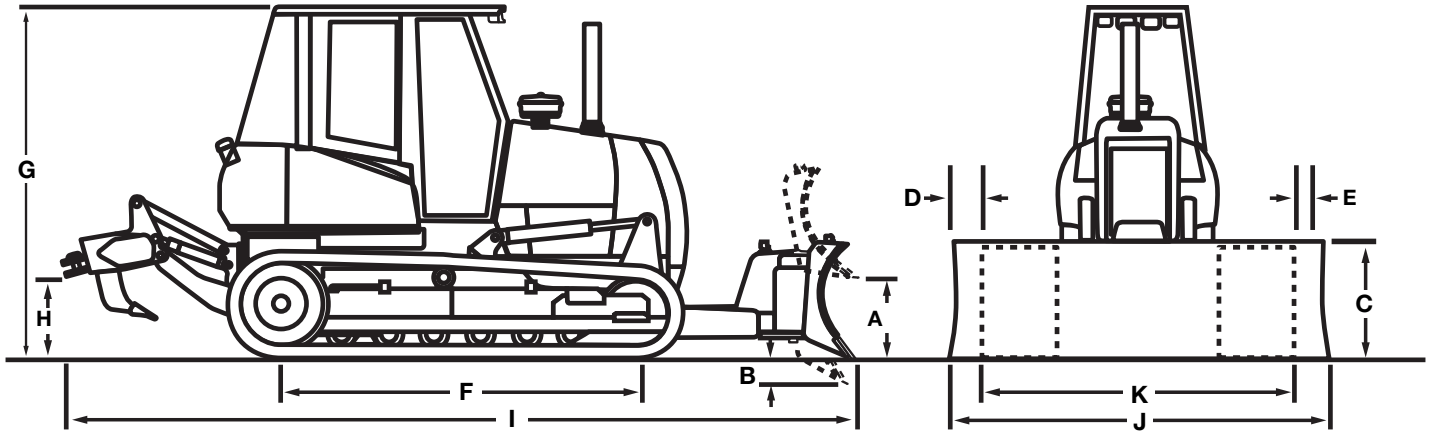
## OPERATING WEIGHTS

Unit equipped with ROPS, full fuel tank, 170 lb (77 kg) operator, track guides, backup alarm, horn and lights.

Long track (96 in blade, 16 in shoe)	16,250 lb (7370 kg)
Wide track (112 in blade, 20 in shoe)	16,800 lb (7619 kg)
LGP (120 in blade, 27 in shoe)	17,550 lb (7959 kg)

### Add-on weights –

Drawbar	146 lb (66 kg)
Ripper (3 shank)	1,349 lb (612 kg)
Winch	1,000 lb (454 kg)
Front counterweight	752 lb (341 kg)
Cab	1,588 lb (720 kg)
ROPS heater	70 lb (32 kg)
CELT chain	115 lb (52 kg)
Center rockguard	154 lb (70 kg)
Sweeps	110 lb (50 kg)
Dual batteries	64 lb (29 kg)
90 in blade	917 lb (416 kg)
96 in blade	968 lb (439 kg)
112 in blade	1105 lb (501 kg)
120 in blade	1191 lb (540 kg)
CLT w/16 in closed shoe	2880 lb (1306 kg)
CLT w/16 in open shoe	2825 lb (1281 kg)
CLT w/20 in closed shoe	3259 lb (1478 kg)
CLT w/20 in open shoe	3204 lb (1453 kg)
CLT w/27 in closed shoe	3916 lb (1776 kg)
CLT w/27 in open shoe	3861 lb (1751 kg)



## DIMENSIONS

	Long Track (LT)	Long Track (LT, WT)	Wide Track (WT)	Low Ground Pressure (LGP)
<b>BLADES</b>				
Blade width	90 in (2286 mm)	96 in (2438 mm)	112 in (2845 mm)	120 in (3048 mm)
SAE blade capacity	1.58 yd <sup>3</sup> (1.21 m <sup>3</sup> )	1.69 yd <sup>3</sup> (1.29 m <sup>3</sup> )	2 yd <sup>3</sup> (1.53 m <sup>3</sup> )	2.15 yd <sup>3</sup> (1.64 m <sup>3</sup> )
<b>A.</b> Blade lift above ground	33.6 in (853 mm)	33.6 in (853 mm)	33.6 in (853 mm)	33.6 in (853 mm)
<b>B.</b> Blade depth below ground	20.9 in (531 mm)	20.9 in (531 mm)	20.9 in (531 mm)	20.9 in (531 mm)
Blade angle both directions	25°	25°	25°	25°
Blade tilt, each end (up to 9°)	14.2 in (361 mm)	15.2 in (386 mm)	17.8 in (452 mm)	19.0 in (482 mm)
<b>C.</b> Blade height	33.1 in (841 mm)	33.1 in (841 mm)	33.1 in (841 mm)	33.1 in (841 mm)
<b>D.</b> Cast reach	11.2 in (284 mm)	13.9 in (353 mm)	13.2 in (335 mm)	13.3 in (338 mm)
<b>E.</b> Cut reach	-1.6 in (-41 mm)	1.1 in (28 mm)	0.3 in (7 mm)	0.5 in (13 mm)
<b>TRACKS</b>				
Track gauge	56 in (1.42 m)	56 in (1.42 m)	68 in (1.73 m)	68 in (1.73 m)
Shoe width	16 in (406 mm)	16 in (406 mm)	20 in (508 mm)	27 in (686 mm)
<b>F.</b> Track on ground (CELT)	84 in (2.12 m)	84 in (2.12 m)	84 in (2.12 m)	84 in (2.12 m)
Area of track on ground	2630 in <sup>2</sup> (1.70 m <sup>2</sup> )	2630 in <sup>2</sup> (1.70 m <sup>2</sup> )	3372 in <sup>2</sup> (2.18 m <sup>2</sup> )	4552 in <sup>2</sup> (2.94 m <sup>2</sup> )
Ground pressure	6.2 psi (42.6 kPa)	6.2 psi (42.6 kPa)	5.0 psi (34.4 kPa)	3.9 psi (26.6 kPa)
<b>DIMENSIONS</b>				
<b>G.</b> Height to top of ROPS	104.7 in (2639 mm)	104.7 in (2639 mm)	104.7 in (2639 mm)	104.7 in (2639 mm)
Height to top of cab with air conditioning	104.7 in (2639 mm)	104.7 in (2639 mm)	104.7 in (2639 mm)	104.7 in (2639 mm)
<b>H.</b> Ground clearance at drawbar	14.4 in (366 mm)	14.4 in (366 mm)	14.4 in (366 mm)	14.4 in (366 mm)
<b>I.</b> Length –				
Blade straight with drawbar	163.3 in (4149 mm)	163.3 in (4149 mm)	163.3 in (4149 mm)	163.3 in (4149 mm)
Blade straight with ripper	195.8 in (4973 mm)	195.8 in (4973 mm)	195.8 in (4973 mm)	195.8 in (4973 mm)
<b>J.</b> Width –				
Blade straight	90 in (2286 mm)	96 in (2438 mm)	112 in (2845 mm)	120 in (3048 mm)
Blade angled	83.7 in (2126 mm)	89.2 in (2265 mm)	103.7 in (2634 mm)	110.9 in (2819 mm)
<b>K.</b> Over track	72 in (1828 mm)	72 in (1828 mm)	88 in (2235 mm)	95 in (2413 mm)

## STANDARD EQUIPMENT

### OPERATOR'S COMPARTMENT

Isolation mounted ROPS/FOPS canopy with headliner and floor mat  
Vinyl suspension seat w/back adjustment & adjustable armrests  
Retractable seat belt, 2 in (51 mm)  
Foot rests

### ENGINE

Case Family IV 445TA/EG7a diesel, Tier 3 certified EPA Family NHXL04.5DCB  
Automatic fan belt tensioner  
Integral engine oil cooling  
Fuel filter  
Dual element radial seal air cleaner  
90 amp alternator  
700 CCA 12-volt battery  
Anti-sandblast radiator  
Engine side panel  
Anti-freeze to -34°F  
Pusher fan

### POWERTRAIN

Dual path infinitely variable, single-lever controlled hydrostatic drive with electronic straight tracking & counter-rotation, 4-position forward/reverse ratio control  
Final drive – Triple reduction – helical gear/planetary  
Decelerator with hydrostatic drive retardation  
Automatic spring applied parking brake  
10 incremental speed settings - Operator preference settings for max speed, shuttle sensitivity and steering sensitivity

### BLADE

52° - 60° variable pitch  
Single lever control for blade lift, angle and tilt  
90 in (2.29 m) blade 650 L  
96 in (2.44 m) blade 650 LT

### UNDERCARRIAGE

Case lubricated track chain  
Easy clean track covers  
Hydraulic track adjusters  
Permanently lubricated track and carrier rollers  
Track adjuster guard  
Track guides (front and rear)

### OTHER

Anti-vandalism package  
Backup alarm  
Decelerator  
Final drive seal guard  
Hand throttle  
Horn  
Lights – halogen, 2 front, 1 rear for cab or ROPS  
Master disconnect switch  
Mirror  
Operator's manual enclosure  
O-ring face seal hydraulic fittings  
Pre-cleaner  
Vertical spin-on hydraulic/filters  
Hydraulics - 3 spool valve

## OPTIONAL EQUIPMENT

### OPERATOR'S COMPARTMENT

Cab (w/heater, 22,700 BTU (6.65 kW)/hr air conditioner, defroster, front windshield washer and 2F-1R lights)  
3 in (76 mm) seat belt  
Deluxe air suspension seat

### HYDRAULICS

4 spool hydraulic valve for field-installed ripper

### REAR MOUNTED EQUIPMENT

Ripper, parallelogram 5 slots with 3 shanks

### BLADES

112 in (2.85 m)  
120 in (3.05 m)

### GUARDS

Brush guards (Sweeps)  
Center rockguard

### SCREENS

Rear ROPS and cab  
Side ROPS  
Radiator brush screen

### OTHER

Case extended life track  
Cold start aid (Grid Heater) with dual 12-volt battery  
Counterweight, front  
Drawbar  
Fan, reversible  
Front pull hook

### OTHER (continued)

Lights – halogen, 2 front, 1 rear for cab or ROPS  
Retrieval hitch  
Special paint  
Sprocket, relieved (LT w/CLT only)  
Turbo precleaner  
Winch drive PTO  
Rear Wiper for cab  
Lights w/o brush guard  
Lights with brush guard  
Diagnostics check fittings  
Environmental drains  
Lift/Tow decals (Export)



NOTE: All specifications are stated in accordance with SAE Standards or Recommended Practices, where applicable.

NOTE: All engines meet current EPA emissions requirements.

IMPORTANT: Case Construction Equipment Inc. reserves the right to change these specifications without notice and without incurring any obligation relating to such change. Case Construction Equipment Inc. does not warrant the safety or reliability of attachments from other manufacturers.

Case is a registered trademark of CNH America LLC. Any trademarks referred to herein, in association with goods and/or services of companies other than CNH America LLC, are the property of those respective companies.



[www.casece.com](http://www.casece.com)