

PRELIMINARY

ENGINE

Model	Case F4HFE613W Tier 4 Interim Certified
Cylinders	6
Displacement	409 in ³ (6.7 L)
Fuel injection	Direct
Fuel	#2 Diesel
Fuel filter	Spin-on w/ in line strainer
Air intake	Cross-flow
Cooling	Liquid
Engine speeds	RPM
High idle – no load	2200 +/- 50
Rated – full load	2000
Low idle	800 +/- 25
Horsepower @ 2000 RPM – SAE J1349:	
Net	214 hp (160 kW)
Gross	231.9 hp (173 kW)

Engine lubrication:

Pump	Deep sump plate cooler w/ pressurized under-piston nozzles
Pump operating angle ratings:	
Side-to-side	45°
Fore and aft	35°
Oil filtration	Replaceable, spin-on full flow cartridge
Radiator:	
Core size area	512 in ² (0.33 m ²)
Rows of tubes	2
Fan:	
Type	Variable speed/ Auto reversing/Hydraulic driven
Diameter	27.6 in (700 mm)
Ratio	48.75:1

POWERTRAIN

Dual path hydrostatic:	
Pump	Variable axial piston
Motor	Variable bent axis piston
Max. drawbar pull*	80,979 lb (360 kN)
Transmission	Single Lever Control electronic straight tracking
Oil filter	4-micron at beta 75, replaceable w/ 100 mesh suction screen
Travel speeds*:	
Forward	5.8 mph (9.3 kph)
Reverse	5.8 mph (9.3 kph)
Parking brakes	Heavy-duty, spring-applied, hydraulic pressure release
Steering brakes	Hydrostatic
Final drive	Double reduction
Ratio	48.75:1

NOTE: *Measured using standard track chain. Increase travel speeds by 4% and reduce drawbar pull by 4% w/ the optional CELT track chain.

POWERTRAIN (cont.)

Transmission cooling:	
Type	Tube and fin
Core size	484 in ² (0.31 m ²)

ELECTRICAL

Alternator	120 amp
Batteries	2 x 12-volt, low-maintenance 950 cold-cranking amps @ 0° F (-18° C)

OPERATOR ENVIRONMENT

Fully enclosed cab; Vinyl suspension seat w/ back adjustment; Retractable 2 in (51 mm) seat belt; Adjustable armrests; Foot rests; Tool storage; Headliner; Floor mat; Seats tilt for access.

Warning lights:

Air filter; Alternator; Diagnostic fault indicator; Engine coolant temperature; Engine oil pressure; Hydraulic filter; Low fuel level; Park brake engaged; Service soon indicator; Transmission filter; Transmission charge pressure.

Gauges:

Battery voltage; Fuel level; Digital hour meter/tachometer/diagnostic/service reminder; Transmission oil temperature; Transmission speed indicator; Water temperature.

Audible warnings:

Engine coolant temperature; Engine oil pressure; Low fuel level; Transmission charge pressure; Transmission/hydraulic temperature.

OPERATING WEIGHT

Unit equipped w/ cab, full fuel tank, 170 lb (77 kg) operator, front pull hook, rear retrieval hitch, track guides, Semi-U blade.

Long track	44,547 lb (20 206 kg)
Extra long track	45,398 lb (20 592 kg)
Wide track	46,891 lb (21 269 kg)
Low ground pressure	48,773 lb (22 123 kg)
Add-on weights:	
Drawbar	146 lb (66 kg)
Ripper	2,988 lb (1355 kg)
Cab	1,744 lb (791 kg)

CELT chain – per track:

24 in (610 mm) – LT	7,015 lb (3182 kg)
24 in (610 mm) – XLT/WT	7,888 lb (3578 kg)
28 in (711 mm)	8,660 lb (3928 kg)
30 in (762 mm)	9,043 lb (4102 kg)
36 in (914 mm)	10,203 lb (4628 kg)

Center rock guard	675 lb (306 kg)
Sweeps	139 lb (63 kg)

HYDRAULICS

Pump flow @ 2200 RPM @ 2,830 psi (195 bar):	40.4 gpm (153 L/min)
Lift cylinder	Two (2)
Bore diameter	4.50 in (114.3 mm)
Rod diameter	2.50 in (63.5 mm)
Stroke	16.88 in (428.8 mm)
Angle cylinder	Two (2)
Bore diameter	4.50 in (114.3 mm)
Rod diameter	2.50 in (63.5 mm)
Stroke	19.79 in (502.7 mm)
Tilt cylinder	One (1)
Bore diameter	5.00 in (127.0 mm)
Rod diameter	2.50 in (63.5 mm)
Stroke	5.84 in (148.3 mm)

SERVICE CAPACITY

Fuel tank	107.0 gal (405.0 L)
Engine oil w/ filter	17.3 qt (16.4 L)
Engine oil w/o filter	16.5 qt (15.6 L)
Engine cooling system	8.0 gal (30.28 L)
Hydraulic reservoir	55.0 gal (210.0 L)
Final drive – per side	26.4 qt (25.0 L)
Track rollers – each	0.29 qt (0.275 L)
Front idlers – each	0.237 qt (0.225 L)
Carrier rollers – each	0.353 qt (0.334 L)
DEF tank	14.0 gal (52.0 L)

OTHER SPECIFICATIONS

Undercarriage:

Track adjustment	Hydraulic
Frame	Pivot shaft and oscillating equalizer beam

Length of track on ground:

LT	104 in (2.65 m)
XLT, WT, LGP	129 in (3.28 m)
Track link pitch	8 in (203.2 mm)
Track shoe height	2.8 in (71.5 mm)
Pin diameter	1.75 in (44.5 mm)

Bushing diameter:

CLT track	2.86 in (72.7 mm)
CELT track	3.67 in (93.2 mm)

Track shoes per side:

LT	40
XLT, WT, LGP	45

Track rollers per side	8
------------------------	---

Carrier rollers per side	2
--------------------------	---

Track roller rail diameter	8.27 in (210 mm)
----------------------------	------------------

Track on ground:

Shoe area:	
24 in (610 mm)	5,002 in ² (32 269 cm ²)
28 in (711 mm)	7,223 in ² (46 599 cm ²)
30 in (762 mm)	7,741 in ² (49 941 cm ²)
36 in (914 mm)	9,285 in ² (59 904 cm ²)

OTHER SPECIFICATIONS (cont.)

Track:

Long track:
 24 in (610 mm) closed grousers and CLT
 24 in (610 mm) open grousers and CELT

Extra long track:

24 in (610 mm) closed grousers and CLT
 24 in (610 mm) open grousers and CELT
 28 in (711 mm) closed grousers and CLT
 28 in (711 mm) open grousers and CELT

Wide track and low ground pressure:

30 in (762 mm) closed grousers and CLT
 30 in (762 mm) open grousers and CELT
 36 in (914 mm) closed grousers and CLT
 36 in (914 mm) open grousers and CELT

Blade:

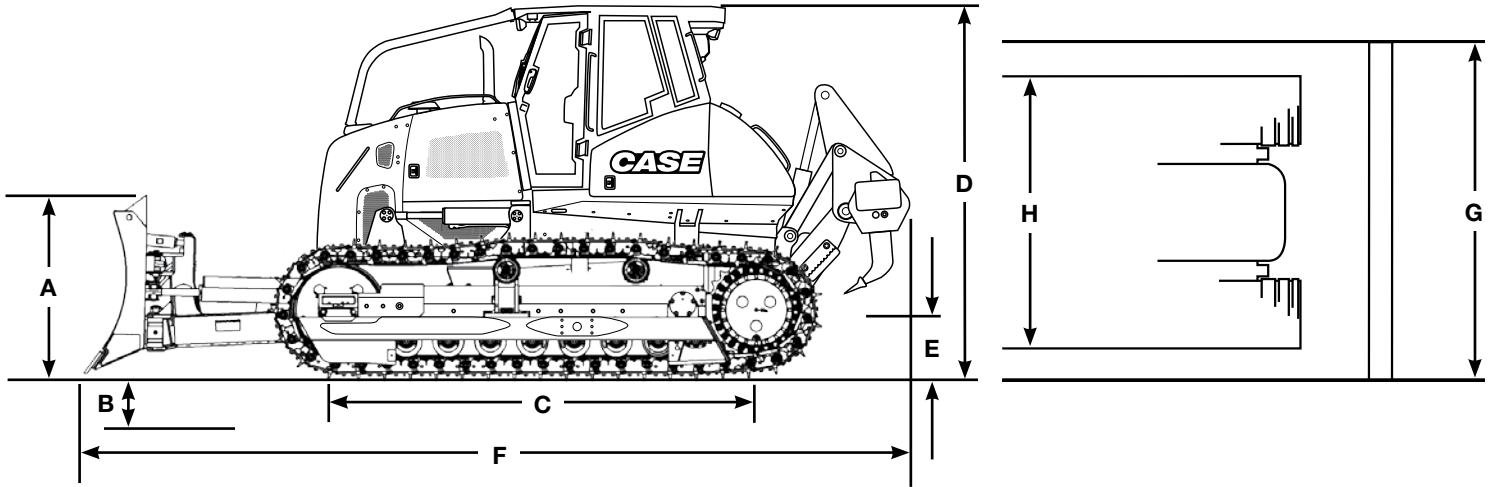
Variable blade pitch	55° forward 55° rearward
Lift speed – per second	19.3 in (483 mm)
Cutting edge	Reversible, replaceable
Width	10.0 in (254 mm)
Thickness	0.8 in (20 mm)

Ripper:

Max. penetration	25.8 in (655 mm)
Width	76.9 in (1953 mm)
Cut width	74.4 in (1890 mm)

Ripper (continued):

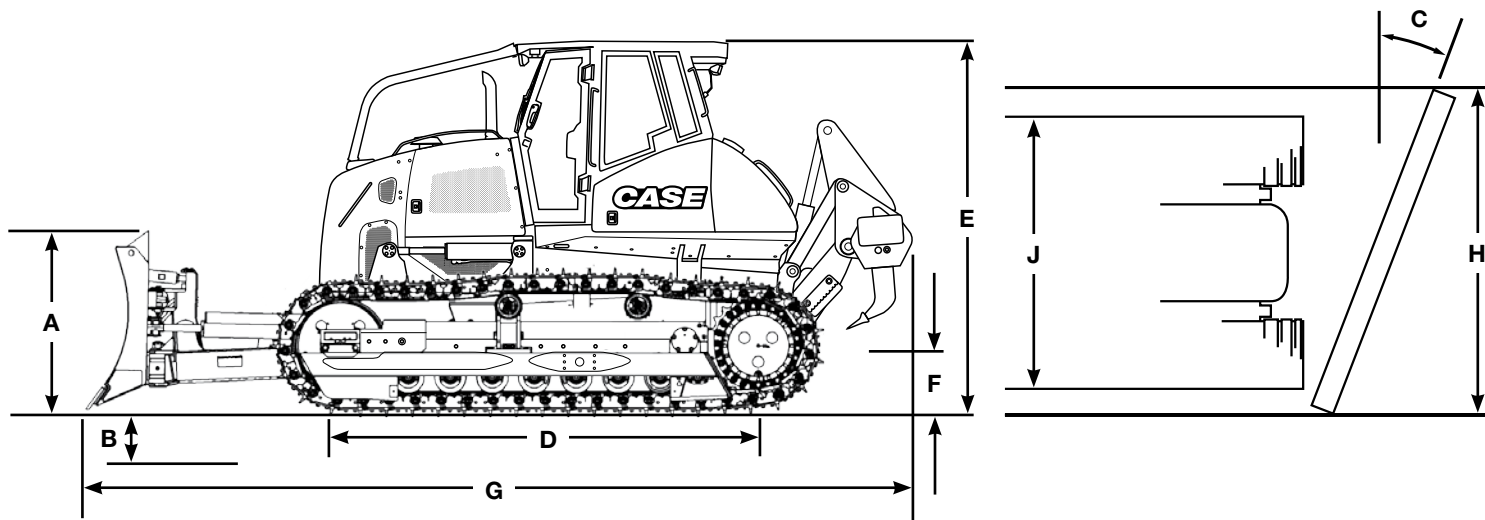
Max. ground clearance	19.1 in (486 mm)
Max. number of shanks	3
Tooth spacing: w/ 3 teeth	37.2 in (945 mm)
Hydraulic cylinder	Double-acting
Diameter	6.14 in (156 mm)
Stroke	23.5 in (597 mm)
Rod	2.75 in (70 mm)



Line drawings are for illustrative purpose only and may not be exact representation of unit.

DIMENSIONS

	Long Track (LT) Semi-U	Extra Long Track (XLT) Semi-U	Low Ground Pressure (LGP) Straight PT
Blade width	135 in (3422 mm)	135 in (3422 mm)	154 in (3900 mm)
SAE blade capacity	7.29 yd ³ (5.57 m ³)	7.29 yd ³ (5.57 m ³)	4.94 yd ³ (3.78 m ³)
A. Blade height	56 in (1418 mm)	56 in (1418 mm)	44 in (1118 mm)
Blade lift above ground	49 in (1244 mm)	49 in (1244 mm)	45.9 in (1165 mm)
B. Blade depth below ground	23 in (584 mm)	23 in (584 mm)	21.6 in (549 mm)
Blade tilt, each end	17 in (433 mm)	17 in (433 mm)	16.2 in (411 mm)
Track gauge	76 in (1.94 m)	76 in (1.94 m)	89 in (2.26 m)
Maximum shoe width	24 in (609 mm)	28 in (711 mm)	36 in (914 mm)
C. Length of track on ground	104 in (2.65 m)	129 in (3.28 m)	129 in (3.28 m)
Area of track on ground	5,002 in ² (3.23 m ²)	7,223 in ² (4.66 m ²)	9,285 in ² (5.99 m ²)
Ground pressure	8.93 psi (0.62 bar)	6.29 psi (0.43 bar)	5.25 psi (0.36 bar)
D. Height to top of cab	10 ft 2 in (3103 mm)	10 ft 2 in (3103 mm)	10 ft 2 in (3103 mm)
Height to top of exhaust	9 ft 5 in (2876 mm)	9 ft 5 in (2876 mm)	9 ft 5 in (2876 mm)
E. Ground clearance	20.7 in (525 mm)	20.7 in (525 mm)	20.7 in (525 mm)
Length:			
Blade straight with drawbar	17 ft 8 in (5387 mm)	17 ft 8 in (5387 mm)	19 ft 4 in (5895 mm)
F. Blade straight with ripper	22 ft 7 in (6870 mm)	22 ft 7 in (6870 mm)	22 ft 11 in (6983 mm)
Width:			
G. Blade straight	11 ft 3 in (3427 mm)	11 ft 3 in (3427 mm)	12 ft 10 in (3901 mm)
H. Over track	8 ft 4 in (2550 mm)	8 ft 4 in (2550 mm)	10 ft 5 in (3175 mm)



Line drawings are for illustrative purpose only and may not be exact representation of unit.

DIMENSIONS - PAT BLADE

	Long Track (LT) PAT	Extra Long Track (XLT) PAT	Low Ground Pressure (LGP) PAT
Blade width	142 in (3607 mm)	142 in (3607 mm)	160 in (4064 mm)
SAE blade capacity	6.32 yd ³ (4.83 m ³)	6.32 yd ³ (4.83 m ³)	7.24 yd ³ (5.54 m ³)
A. Blade height	54 in (1369 mm)	54 in (1369 mm)	54 in (1369 mm)
Blade lift above ground	44.5 in (1130 mm)	44.5 in (1130 mm)	44.5 in (1130 mm)
B. Blade depth below ground	21.2 in (539 mm)	21.2 in (539 mm)	23.2 in (590 mm)
C. Blade angle both directions	28°	28°	28°
Blade tilt, each end	17.7 in (450 mm)	17.7 in (450 mm)	21.7 in (550 mm)
Track gauge	76 in (1.94 m)	76 in (1.94 m)	89 in (2.26 m)
Maximum shoe width	24 in (609 mm)	28 in (711 mm)	36 in (914 mm)
D. Length of track on ground	104 in (2.65 m)	129 in (3.28 m)	129 in (3.28 m)
Area of track on ground	5,002 in ² (3.23 m ²)	7,223 in ² (4.66 m ²)	9,285 in ² (5.99 m ²)
Ground pressure	8.93 psi (0.62 bar)	6.29 psi (0.43 bar)	5.25 psi (0.36 bar)
E. Height to top of cab	10 ft 2 in (3103 mm)	10 ft 2 in (3103 mm)	10 ft 2 in (3103 mm)
Height to top of exhaust	9 ft 5 in (2876 mm)	9 ft 5 in (2876 mm)	9 ft 5 in (2876 mm)
F. Ground clearance	20.7 in (525 mm)	20.7 in (525 mm)	20.7 in (525 mm)
Length:			
Blade straight with drawbar	18 ft 0 in (5491 mm)	19 ft 4 in (5902 mm)	19 ft 4 in (5902 mm)
G. Blade straight with ripper	22 ft 11 in (6974 mm)	24 ft 3 in (7384 mm)	24 ft 3 in (7384 mm)
Width:			
Blade straight	11 ft 10 in (3607 mm)	11 ft 10 in (3607 mm)	13 ft 4 in (4064 mm)
H. Blade angled	10 ft 9 in (3287 mm)	10 ft 9 in (3287 mm)	12 ft 1 in (3690 mm)
J. Over track	8 ft 4 in (2550 mm)	8 ft 4 in (2550 mm)	10 ft 5 in (3175 mm)

STANDARD EQUIPMENT

OPERATOR ENVIRONMENT

See page 1

ENGINE

F4HFE613W

Tier 4 Interim Certified

Automatic fan belt tensioner

Integral engine oil cooling

Fuel filter

Dual element radial seal air cleaner

120 amp alternator

(2) 950 CCA 12-volt batteries

Anti-sandblast radiator

Engine side panels

POWERTRAIN

Dual path infinitely variable, single-lever controlled hydrostatic drive, with electronic straight tracking and counter-rotation

Final drive:

Triple reduction; helical gear/planetary decelerator with hydrostatic drive retardation

Automatic spring-applied parking brake

BLADE

50° – 60° variable pitch, with integral adjustment tool

Single lever electro-hydraulic control for blade lift, angle and tilt

UNDERCARRIAGE

Hydraulic track adjusters

Case Lubricated Track Chain

Permanently lubricated track and carrier rollers and idlers

Track adjuster guard

Track guides – front and rear

OTHER

Anti-vandalism package

Backup alarm

Horn

Work lights:

2 front

1 rear

Master disconnect switch

Mirror

Pre-cleaner

Front pull hook

Rear transmission guard

OPTIONAL EQUIPMENT

OPERATOR ENVIRONMENT

Seat belt – 3 in (76 mm)

Deluxe air suspension seat

Rear wiper for cab

Radio

HYDRAULICS

4-spool hydraulic valve for field-installed ripper

3-spool hydraulic valve without plugs for field-installed ripper

3-spool hydraulic valve with plugs

REAR MOUNTED EQUIPMENT

Ripper – 3 position with 3 shanks

Hydraulic pump with PTO

Rear tow hook

Drawbar

Drawbar with step

BLADES

PAT – 142 in (3607 mm)

PAT – 160 in (4064 mm)

Folding PAT – 160 in (4064 mm)

HS Straight (XLT/LT) – 131 in (3334 mm)

HS Straight (WT/LGP) – 154 in (3900 mm)

Semi-U – 135 in (3422 mm)

GUARDS

CAB canopy brush guard

Full length rock guards

SCREENS

Cab rear screen

OTHER

Environmental drains

Case Extended Life Track

Grid heater

Additional work lights

Blade guidance ready - Trimble

Blade guidance ready - Leica

Blade guidance ready - Topcon

Rearview mirror

Turbine pre-cleaner



NOTE: All specifications are stated in accordance with SAE Standards or Recommended Practices, where applicable.

NOTE: All engines meet current EPA emissions requirements.

IMPORTANT: Case Construction Equipment Inc. reserves the right to change these specifications without notice and without incurring any obligation relating to such change. Case Construction Equipment Inc. does not warrant the safety or reliability of attachments from other manufacturers.

Case is a registered trademark of CNH America LLC. Any trademarks referred to herein, in association with goods and/or services of companies other than CNH America LLC, are the property of those respective companies.

Form No. CCE2013102050MPrelim
Replaces form no. CCE2013082050MPrelim

Printed in U.S.A.
2050M • Page 4 of 4



All Case construction equipment is biodiesel ready.



www.casece.com

© 2013 CNH America LLC
All Rights Reserved